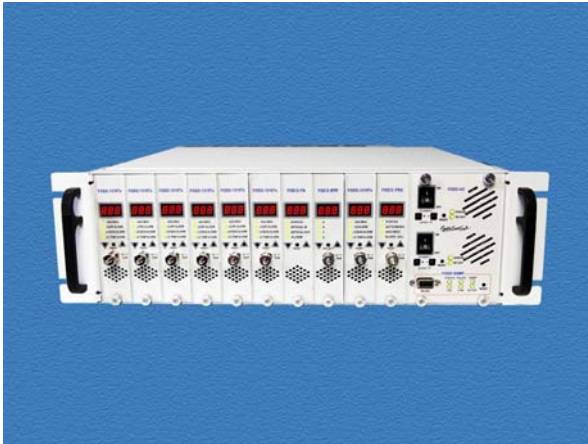




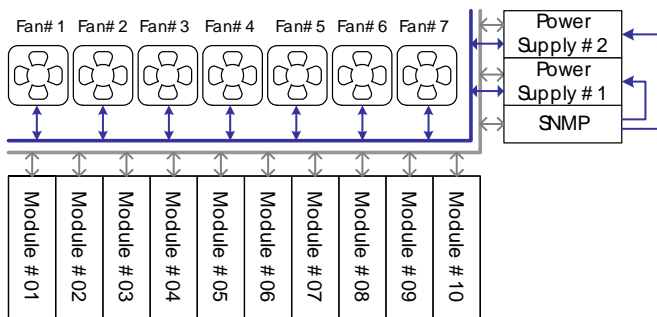
FODII-PF Universal Chassis Platform



Application Features

- Accelerated deployment of advanced services
- Innovative technology creating a converged high-density smart platform
- Simplified installation and management
- Optional redundant powering
- Hot-swappable modules
- Field-replaceable fans
- Various application modules available
- Investment protection through its 3RU footprint
- Universal management through SNMP interface

Block Diagram



— +24VDC Power Bus line SPI Bus line

— Fan Control Bus line

(This block diagram is for FODII-PF with SNMP interface.)

General Specifications

Operation Temperature Range	0° to 50°C
Storage Temperature Range	-20° to 60°C
Relative humidity	85%(Max).
Dimension	483.7 W x 446.5 D x 133 H mm
Mounting	19 inch EIA rack, 3RU space
Open compartment	10 module slots
Special support compartment	2 power supply slots 1 communication slot
Standard communication Interface	RS-485 (optional:SNMP)

Ordering Information

FODII-PF

PF : Platform with RS485 module

(If you need SNMP interface, except ordering FODII-PF, you need to order FODII-SNMP additionally.)